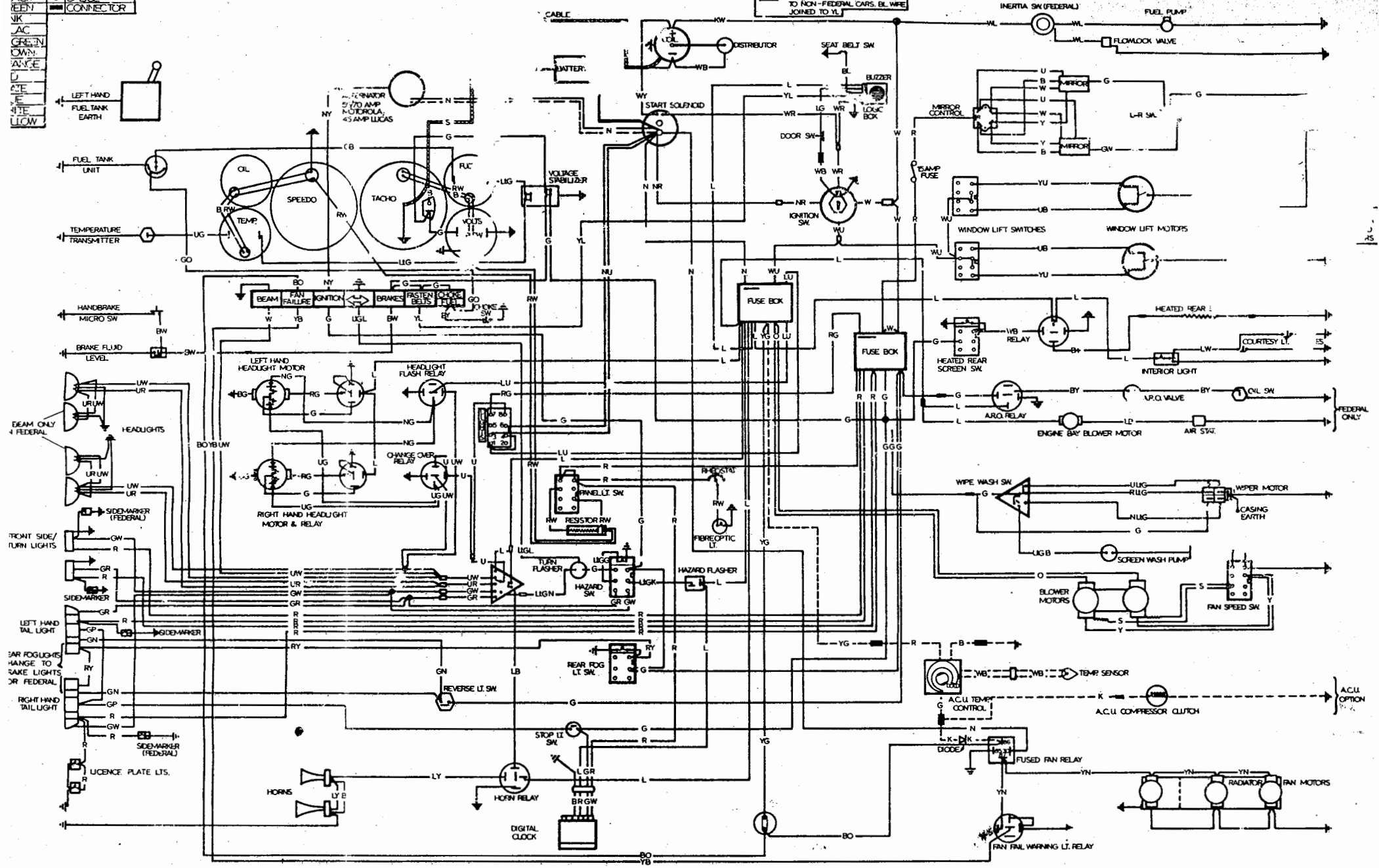


ACK	• SPLICE
FEEN	— CONNECTOR
NK	
AC	
GREEN	
DOWN	
ANCE	
U	
ATE	
E	
LOW	

NOTE LOGIC BOX BUZZER NOT FITTED TO NON-FEDERAL CARS. BL WIRE JOINED TO YL



S2 ESPRIT WIRING DIAGRAM (FEDERAL DOMESTIC, R.O.W.) FROM CHASSIS NOS 400G, 700H, 200J.

probably 0152T falls in here